

Trans-Monitor is the ideal low-cost, single-use impact indicator. It was designed to safeguard your high value or technically sensitive products by deterring rough handling and creating awareness and accountability in the transportation chain.

- The Trans-Monitor provides a visual indication that hidden damage may have occurred.
- When used with alert labels, a Trans-Monitor reduces the incidence of damage by raising awareness that the package is being monitored.
- Promotes accountability amongst handlers throughout the transportation chain.
- Omnidirectional device, detects impacts from all directions.
- Helps confirm the effectiveness of packaging
- Can help identify trouble spots in the transportation chain.
- Tamperproof device
- Surface mounted with self-adhesive or screws
- Part Number- 1400-005G through 1400-300G



Easy Installation and Operation

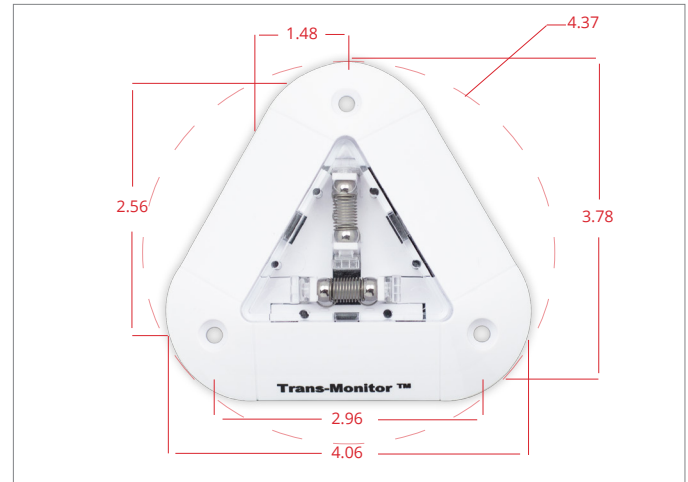
1. Place on a box, on a pallet or on a piece of equipment.
2. Use with companion label for more visibility.

Impact-O-Graph Devices has a complete line of products for your transportation monitoring needs.

Visit us at: www.impactograph.com

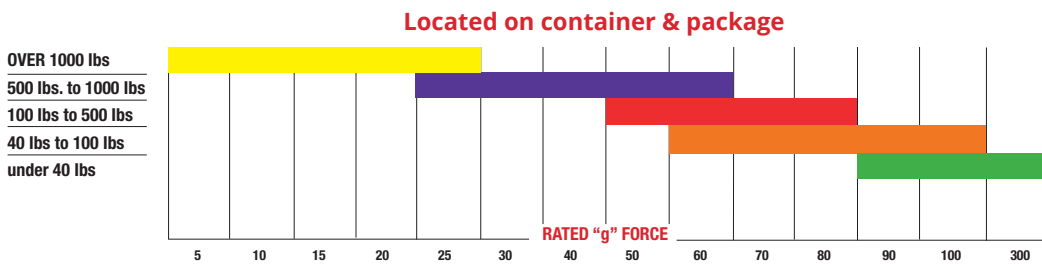
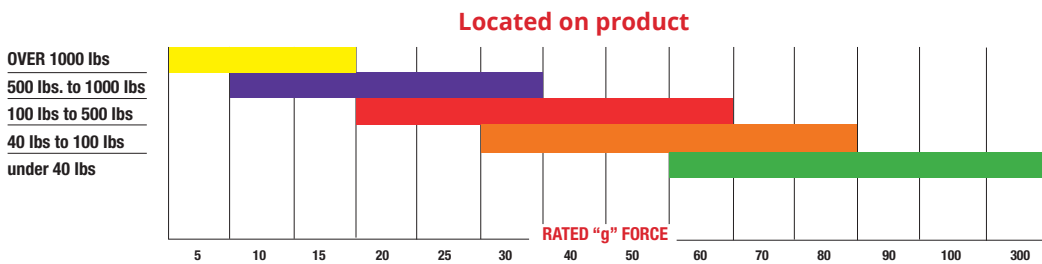
Date: 5/3/17

Height:	0.65 in. / 16.50mm
Diameter:	4.06 in. / 103.12mm
Length:	3.78 in. / 96.00mm
Temperature:	-100°F to 155°F / -73°C to 68°C
Operating Temperature:	1 oz. (28.35)
Accuracy:	±10%
Mounting:	Self-adhesive / screws
"g" Range:	Available in 10g-100g in 10g increments. Also available in 5g, 15g, 25g, 200g, 250g & 300g



A **Trans-Monitor** consists of two sets of spring loaded steel balls mounted in a rugged housing with a transparent window. The springs are calibrated to withstand forces up to the g rating of the unit. If impacts of a greater than rated value are imposed, the balls will dislodge from their set positions.

The **Trans-Monitor** is all-directional. It registers impacts from angle. When an impact takes place, one or more balls are forced out of their socket. Since the ball and spring sets are at a 90° angle from each other, any excessive g force will displace at least one ball.



Impact-O-Graph Devices has a complete line of products for your transportation monitoring needs.

Visit us at: www.impactograph.com

Date: 5/3/17